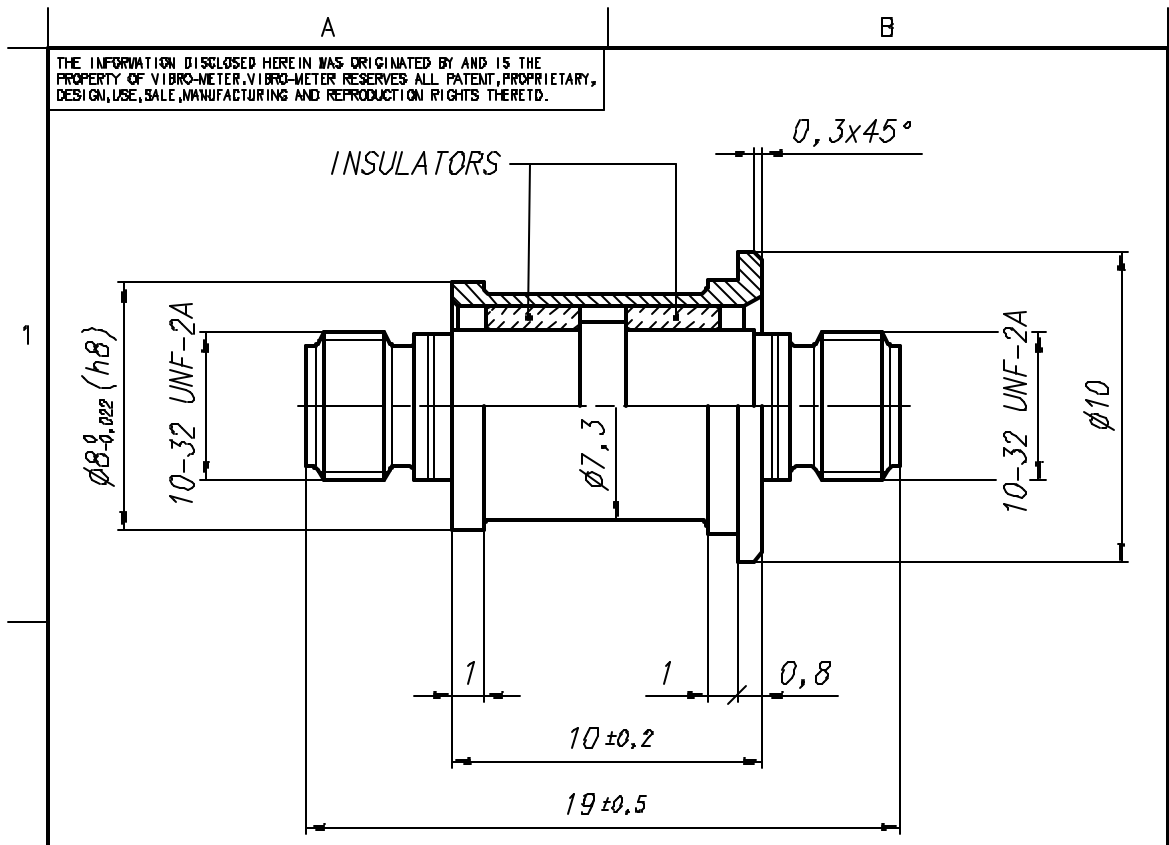


THE INFORMATION DISCLOSED HEREIN WAS ORIGINATED BY AND IS THE PROPERTY OF VIBRO-METER. VIBRO-METER RESERVES ALL PATENT, PROPRIETARY, DESIGN, USE, SALE, MANUFACTURING AND REPRODUCTION RIGHTS THEREOF.



TECHNICAL SPECIFICATIONS	
Type	coaxial
External case	floating shield
Operating pressure	0 to 225 bar
Operating temperature	4 to 400 K
Leak rate	10E-8 mbar.l/s
Compatibility	LH2, LHe
Mating connector	CG 115 P/N 812-115-000-011
Interface cable	EC 242/247/264/904/906, EB 102

6						
5						
4						
3						
2						
1						

Rev.	Date	PM	Drawn	Appr.	Repl. by :	FSCM N°	vibro-meter		VM-CAD
					Repl. for :	S 3960	SWITZERLAND		
Tolerances: ± 0,1 mm to 50 mm; ± mm over 50 mm						Scale	Drawn	13.12.02	M. Wasber
Material:						5:1	Checked		
Finish :							Appr.		
HERMETICAL FEEDTROUGH						DWG. N°	PZ 7501		