

THE INFORMATION DISCLOSED HEREIN WAS OBTAINED BY AND IS THE PROPERTY OF VIBRO-METER S.A. REPRODUCING OR TRANSMITTING IN ANY FORM OR BY ANY MEANS, ELECTRONIC, MECHANICAL, PHOTOCOPYING, RECORDING, OR BY ANY INFORMATION STORAGE AND RETRIEVAL SYSTEM, WITHOUT PERMISSION IN WRITING FROM VIBRO-METER S.A. IS PROHIBITED.

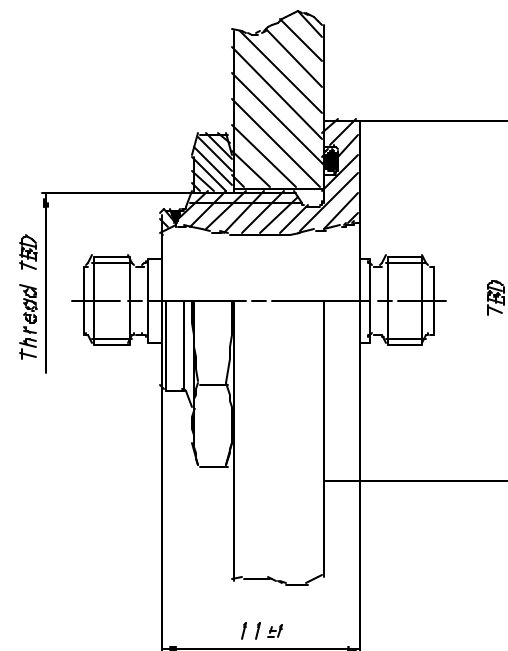
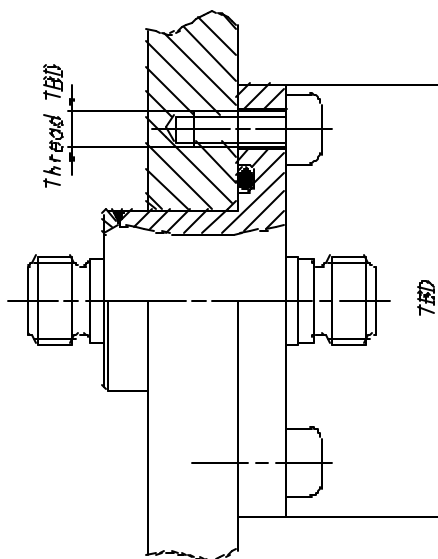
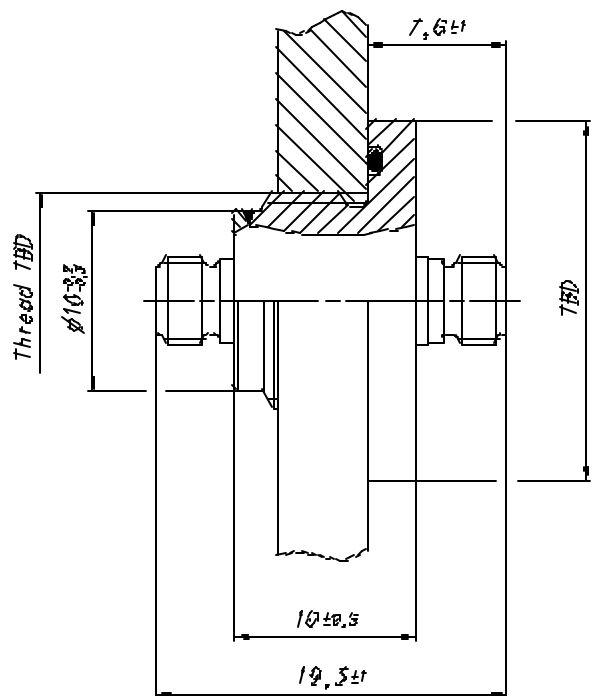
OPTION 1

OPTION 2

OPTION 3

Possible vacuum

Pressure up to 225 bar



TECHNICAL SPECIFICATIONS

Operating pressure	0 to 225 bar
Operating temperature	4 to 400 K
Hermeticity of the feedthrough	< 10E-8 atm cm ³ /sec
Hermeticity of the assembly	< 10E-6 atm cm ³ /sec
Compatibility	LH2, LH4
Wiring connector	CC 115 P/N 812-115-000-011
Interface cable	EC 242/247/264/304/306, EB 102

6											
5											
4											
3											
2											
1											
PW.	Date	AW	Drawn	Appr.	Repl. by :	FEON N°	Vibro-meter		VV-08		
					Repl. for :	S 2850	SWITZERLAND				
Tolerances: ±						min to 50 mm ±	mm over 50 mm	Scale	Brown	M. St. B.	A. Gromey
Material :						4:1		Checked			
Finish :								Appr.			
Feedthrough (electrically floating), cryogenic 4K							DWG. N°				
Mounting options							PZ 7392				