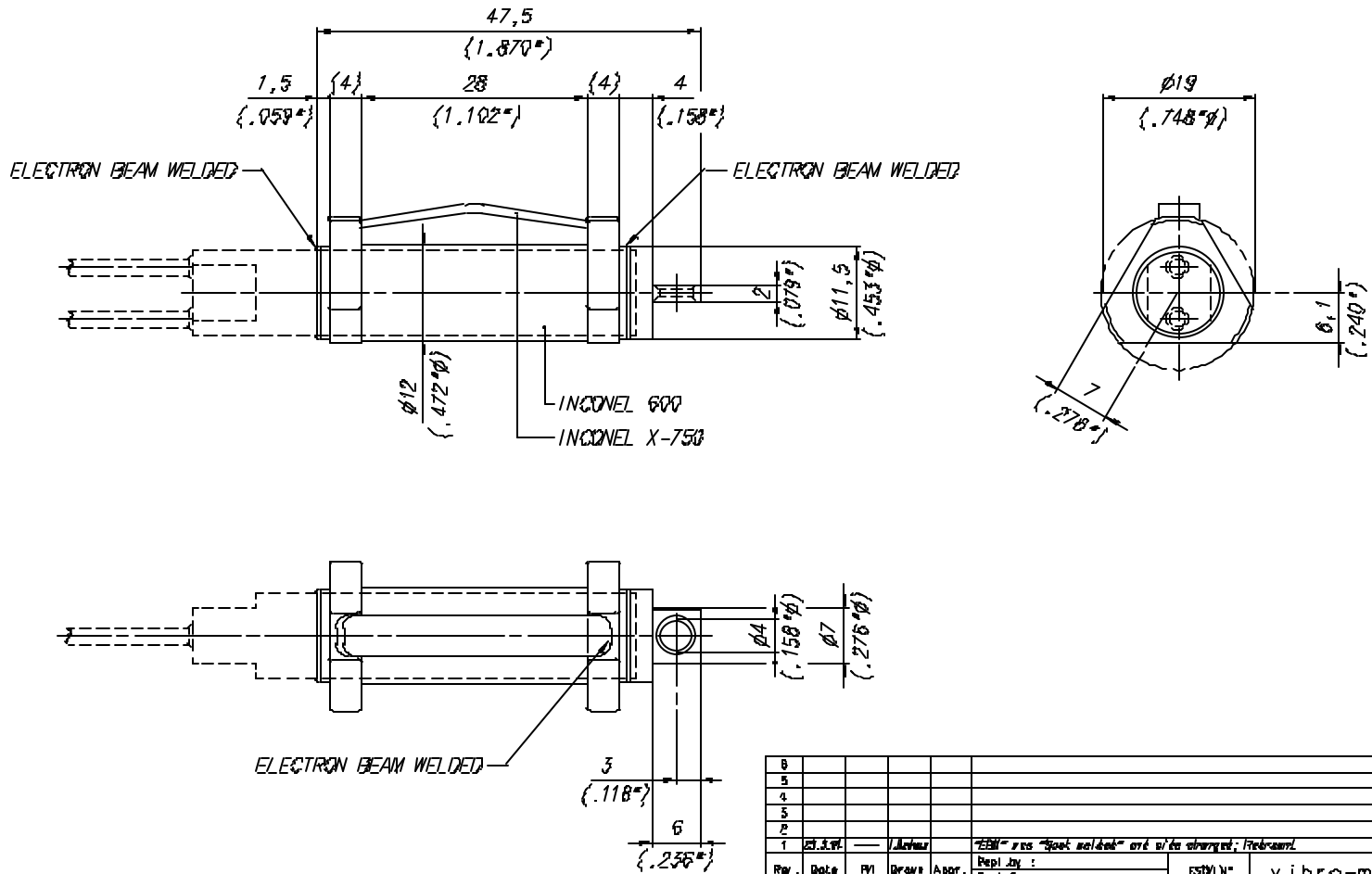
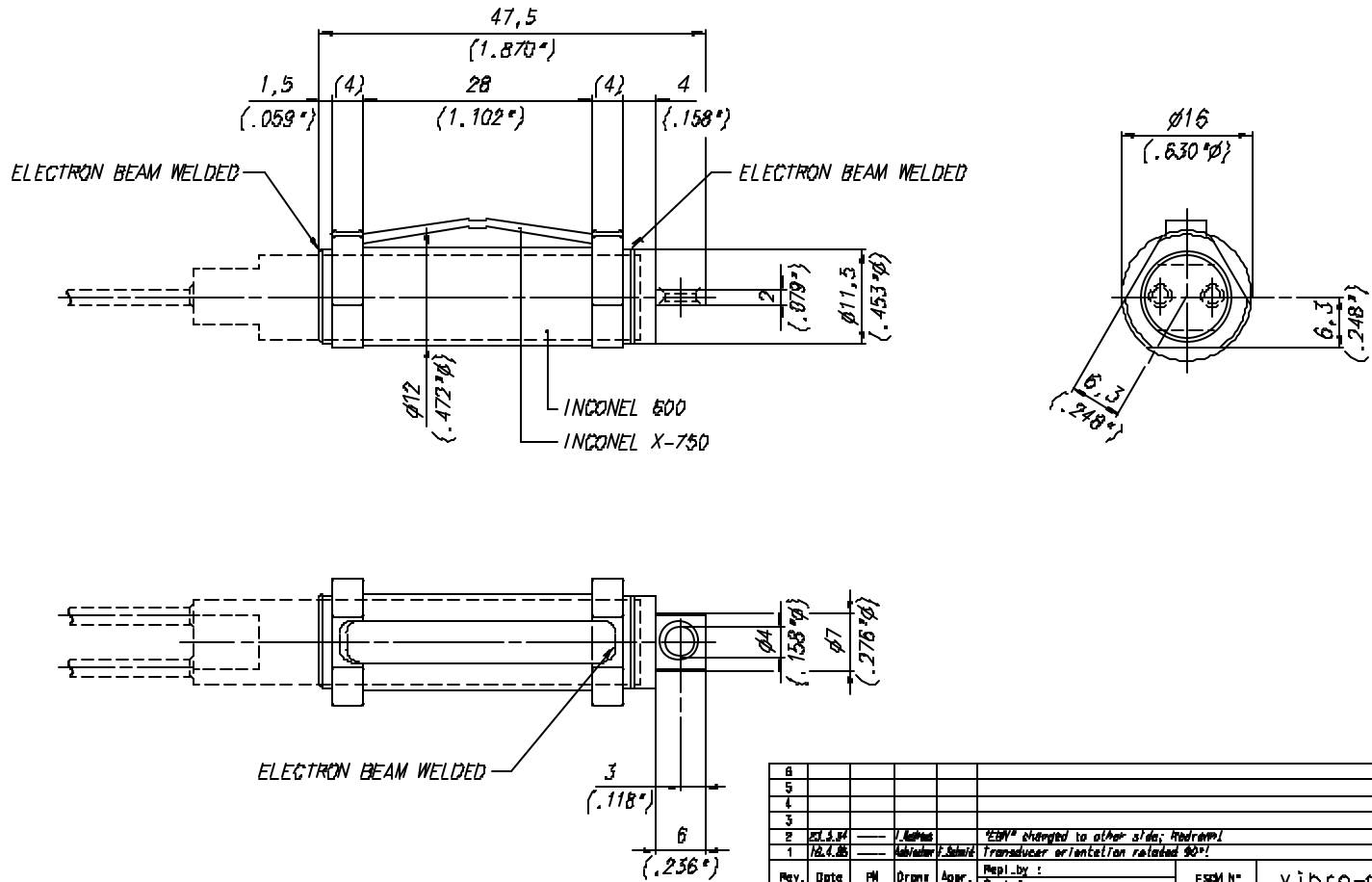


THE INFORMATION DISCLOSED HEREIN WAS OBTAINED BY AND IS THE PROPERTY OF VIBRO-METER LTD. IT IS STRICTLY CONFIDENTIAL. NO DISCLOSURE, REPRODUCTION OR REPRODUCTION RIGHTS THEREIN.



B								
S								
4								
S								
P								
1	Zf. J. B.							
Rev.	Date	Rev.	Drawn	Appr.	Repl. Job :	ESB - see "spot welded" and also changed; Redrawn.		
					Repl. For:			
Tolerances: $\pm 0,2$ mm to 50 mm; $\pm 0,3$ mm over 50 mm						VIB/M ^o	vibro-meter	VIB-0.0
Material:						S 5000	SWITZERLAND	
Finish:						Scale	Drawn	Checked
						2:1	B. S. B.	F. Schmidt
						Appr.	Zf. J. B.	F. Schmidt
MOUNTING ADAPTOR FOR CA 602						DWG. N ^o		
TUBE ID 19,175 to 19,9mm						144-602-650 D 101		

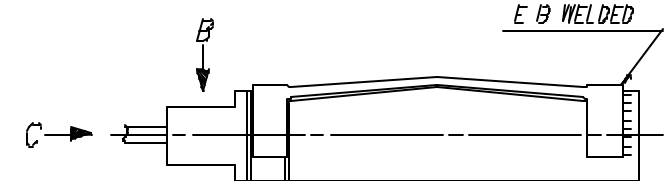
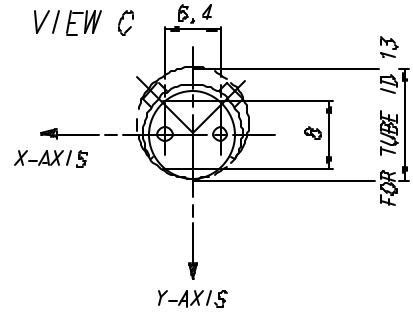
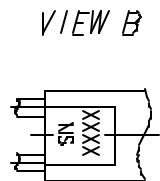
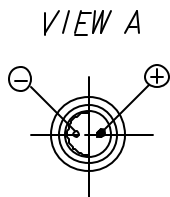
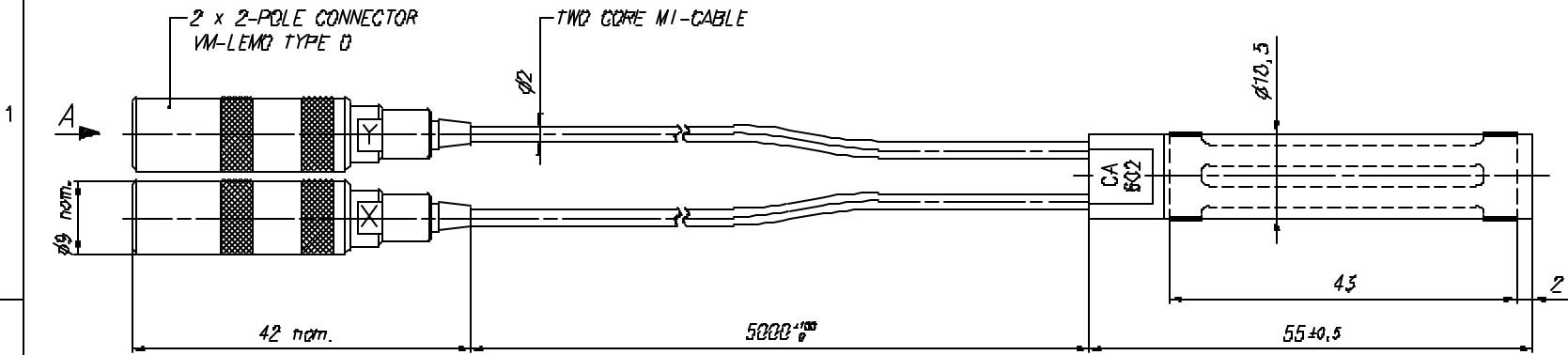
THE INFORMATION CONTAINED HEREIN HAS BEEN CLASSIFIED BY AND IS THE PROPERTY OF VIBRO-METER. VIBRO-METER RESERVES ALL PATENT, PROPRIETARY, DESIGN, TRADE, SALE, MANUFACTURING AND REPRODUCTION RIGHTS THEREON.



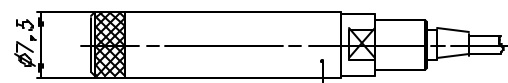
6									
5									
4									
3									
2	25.1.84	---	J. Lohrer					*ESM* changed to other side; *Adrampl*	
1	18.1.83	---	M. Müller / Schmid					Transducer orientation rotated 90°!	
Rev.	Date	FW	Drawn	Appr.	Repl. by :	FSM N°	vibro-meter		VN-240
					Repl. for :	5 3860	SWITZERLAND		
Tolerances: ± 0,2 mm to 50 mm; ± 0,5 mm over 50 mm						Scale	Drawn	21.1.84	Appr. / checked
Material:						2:1	Checked	2.5.84	R. Dürstler
Finish :						Appr.	2.5.84	F. Schmid	
MOUNTING ADAPTOR FOR CA 602						DWG.-N°		144-602-650 D 201	
TUBE ID 16,37 to 17,37mm									

THE INFORMATION DISCLOSED HEREIN IS UNCLASSIFIED AND IS THE PROPERTY OF VIBRO-METER. VIBRO-METER RESERVES ALL PATENT, PROPRIETARY, DESIGN, TRADE, MANUFACTURING AND PRODUCTION RIGHTS THEREON.

VM REF. DOC.: DSS 1105
STS 1121



THIS IS A NON-STANDARD VERSION BASED ON TRANSDUCER TYPE P/N 144-602-000-111 WITH WELDED ADAPTER P/N 144-602-650-301. THIS CUSTOMISED P/N IS NOT SUBJECT TO VIBRO-METER CONFIGURATION MANAGEMENT. FOR FUTURE ORDERS PLEASE QUOTE CUSTOMISED ORDER P/N 109684



PROTECTION COVER TO BE TAKEN OFF AFTER MOUNTING OF TRANSDUCER AND REPLACED BY CONNECTOR SHELL

1	REV. DATE	PN	Drawn	Appr.	Repl. BY :	FSCM N°	Vibro-meter		VM-020
2					Repl. for :	S 5880	BRITZELPLANT		
3	Tolerances: ± 0,2 mm to 50 mm; ± mm over 50 mm					Scale	Drawn	S. B. 00	R. D. 000000
4	Material: 2.4960 (Nimonic 80)					2:1	Checked	S. B. 00	A. Scherzer
5	Finish :						Appr.	S. B. 00	H. 000000
BIAXIAL ACCELEROMETER TYPE CA 602						DWG. N°	PZ 3896		
CUSTOMISED VERSION P/N 109684									